

TIBO 13W, LED BRICK LIGHT

This high quality, attractive IP65 rated LED brick light utilises the latest energy efficient Surface Mount LED technology to provide a superb lighting effect whilst using the minimum electricity. Generally used outdoors in brick walls or steps using the supplied sleeve, it also has many indoor applications in domestic, commercial, entertainment or retail installations



Applications:

- Internally in
  - Showers
  - Kitchen plinths & stairs
  - Dance floors, Bars & Restaurants
- Externally in
  - Garden retaining walls
  - Main building walls to illuminate path & walkways
  - Terrace steps

Construction:

Die-cast aluminium main body housing and trim  
 Dark grey powder coat finishing process  
 Polycarbonate opal diffuser  
 Polycarbonate cover material  
 Stainless steel fasteners  
 Aluminium/FR-4 PCB

Features:

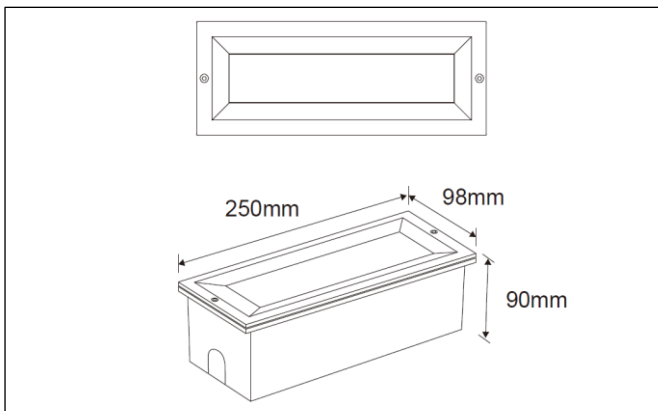
- Manufactured from dark grey powder coated high quality die-cast aluminium
- Opal polycarbonate diffuser
- Complete with polycarbonate mounting sleeve
- Utilises 12 high quality Osram SMD LED chips to provide
  - High Lumen output
  - Low power consumption
  - Long rated LED life
- Warm white light output
- Solid state technology
- No Ultra Violet or Infra-Red
- High efficiency integral driver
- Wide ambient operating temperature range
- Double entry breakouts at both ends of sleeve
- Rubber grommets at each end of main body
- Robus Warranty

Benefits:

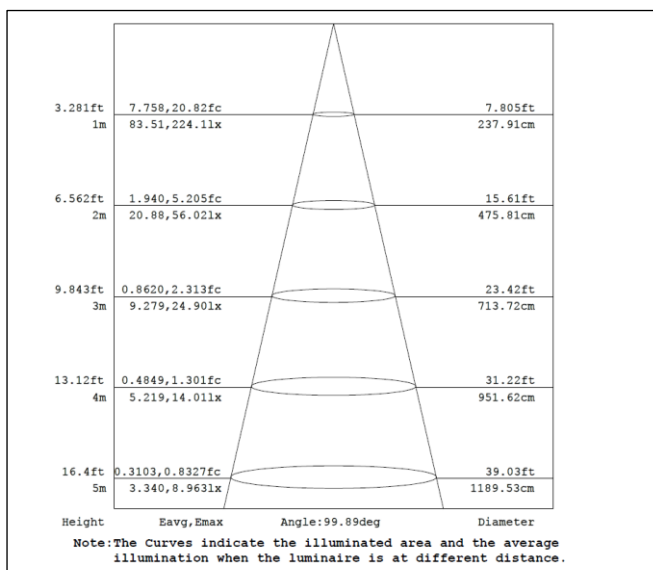
- Minimal cleaning maintenance
- Retains condition to provide an attractive feature indoors or outdoors for many years
- Strong and resistant to everyday knocks
- Uniform spread of light over a wide beam angle for maximum coverage
- Reduces glare
- For 1<sup>st</sup> fix the fitting position and wiring can be built into the brickwork during construction, prior to connection and installation of the fitting
- Replaces traditional light sources providing:
  - Light for light comparability
  - Up to 75% savings in energy consumption
  - Minimal maintenance, high reliability and no lamp changes
- Provides a relaxing ambience in indoor or outdoor areas of installation
- Switches on instantly to full brightness
- No filament failures due to building vibration
- Can be switched by all sensor types without detriment to life
- Will not damage plants, foliage or other heat sensitive objects
- Cool running with little heat generated
- Will not burn if touched so safe for children's areas
- No separate driver enclosure or installation required
- Will stand the rigours of high to low temperature variations
- Provide easy loop in/out cable functionality to other lighting
- No internet registration or forms to be filled in

TIBO 13W, LED BRICK LIGHT

Product Code:	RT11330-25
Comparable to Halogen (W):	50
Total Power (W):	12.9
Total Light Output (lm):	540
Efficacy (lm / cctW):	42
Rated LED Life (hrs):	30,000
Warranty (yrs):	3
Illuminance at 1m (lx):	220
Beam Angle (deg):	100
CCT (K):	3,000
CRI (Ra):	80
Ingress Protection (IP):	65
Impact Rating (IK):	08
Operating Temperature (°C):	-20 ≤ Ta ≤ +40
Operating Voltage (Vac):	220-240
Power Factor (PF):	0.9
Cut Out (mm):	235/82/80
Length (mm):	250
Width (mm):	98
Depth (mm):	90
Box Qty:	1
Weight (kg):	0.85



Cone Illuminance Diagram:



Standards & Approvals:

Complies with: EN60598-1, EN 60598-2-1, EN62031, EN 62493, EN 55015, EN 61547, EN61000-3-2, EN61000-3-3,



Polar Intensity Diagram:

